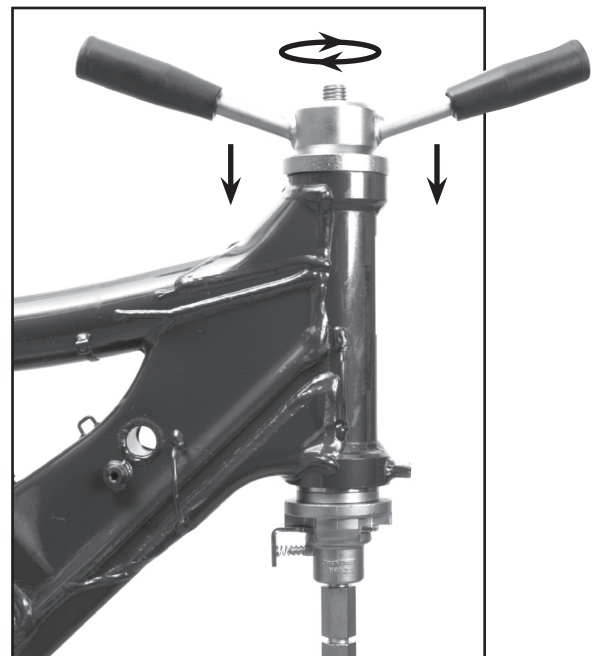
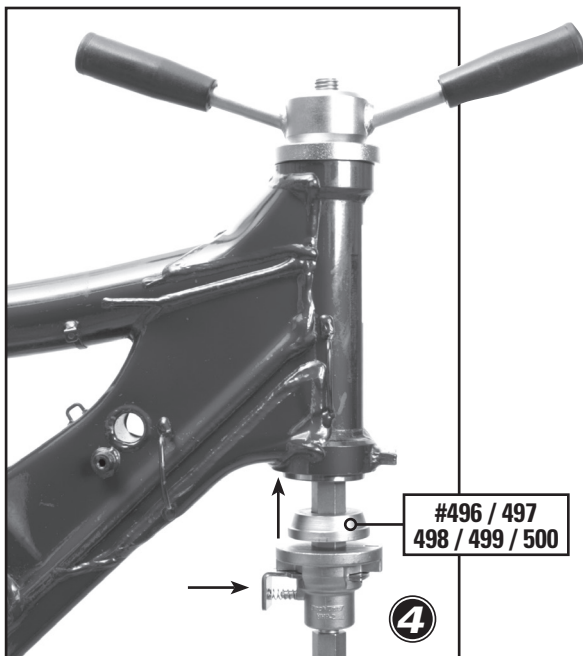
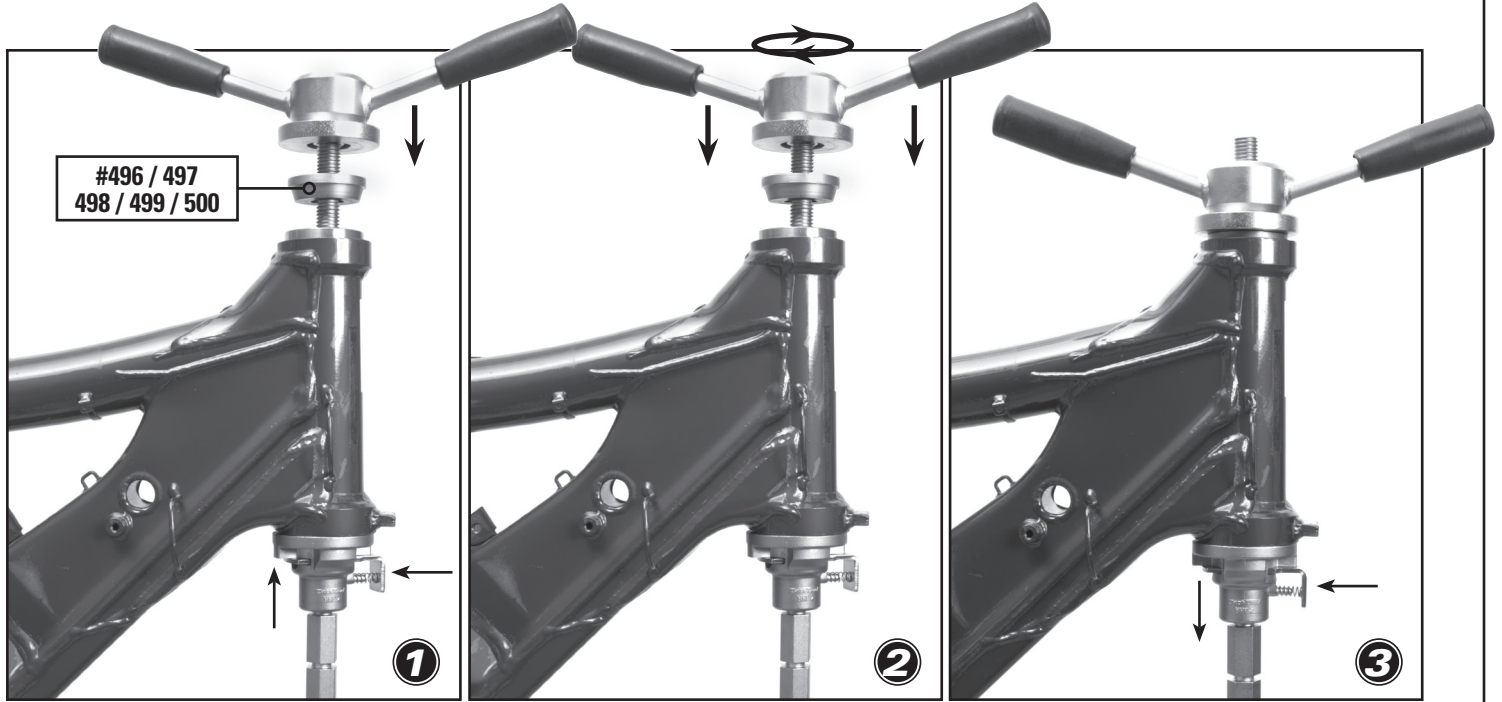




HHP-2M Steering Race Press

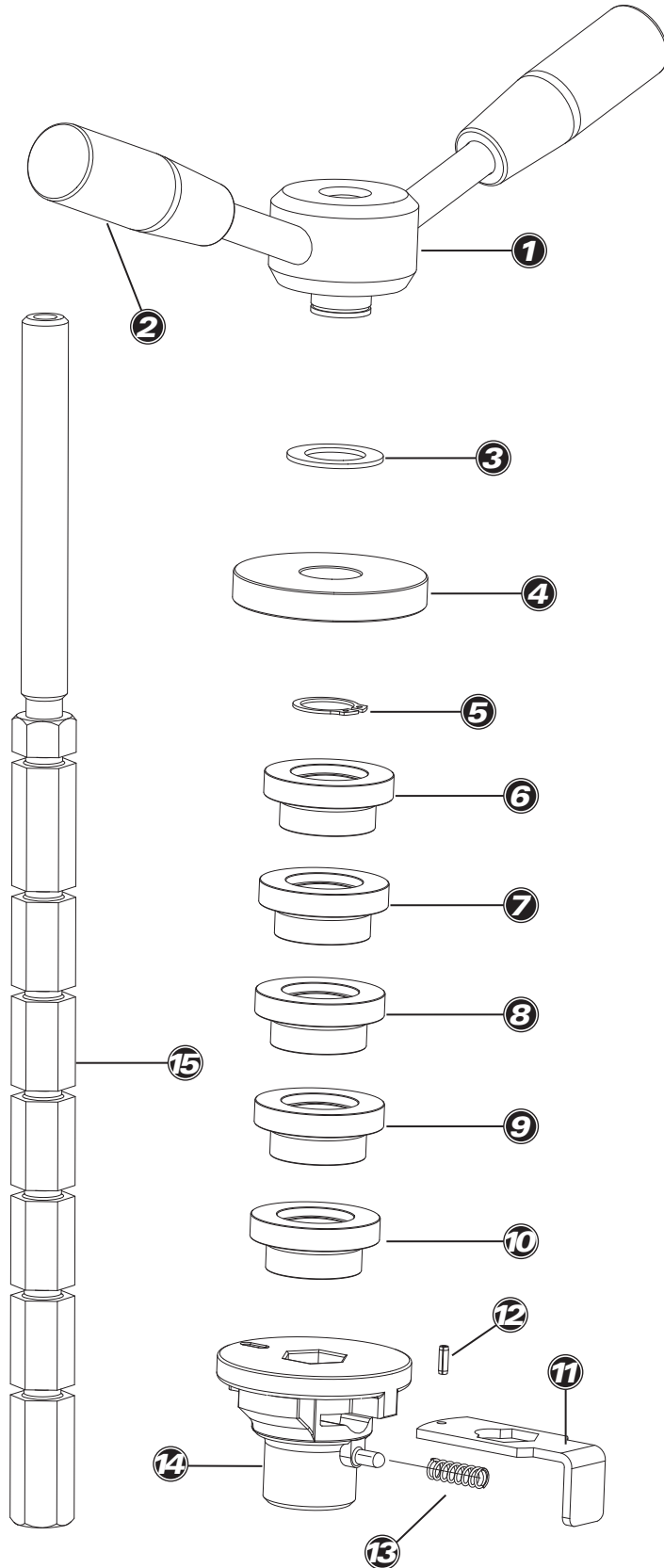
Park Tool Co. 5115 Hadley Ave. N., St. Paul, MN 55128 (USA) www.parktool.com





HHP-2M Steering Race Press

Park Tool Co. 5115 Hadley Ave. N., St. Paul, MN 55128 (USA) www.parktool.com



HHP-2M Part Numbers

| Part No. | Description |
|----------|-------------------------------|
| ① 526 | Handle Weldment |
| ② 526-2 | Handle Knob |
| ③ 529 | Nylon Washer |
| ④ 520 | Movable Plate |
| ⑤ 518 | Circlip |
| ⑥ 496 | Step Ring – Harley-Davidson |
| ⑦ 497 | Step Ring – Honda |
| ⑧ 498 | Step Ring – Kawasaki Lower |
| ⑨ 499 | Step Ring – Kawasaki Upper |
| ⑩ 500 | Step Ring – Goldwing |
| ⑪ 514 | Sliding Lever |
| ⑫ 527 | Split Pin 1/8" x 3/8" |
| ⑬ 525 | Spring |
| ⑭ 512 | Sliding Press Plate |
| ⑮ 524 | Hex Shaft |
| 512A | Sliding Press Plate Assembly |
| 526C | Threaded Press Plate Assembly |