

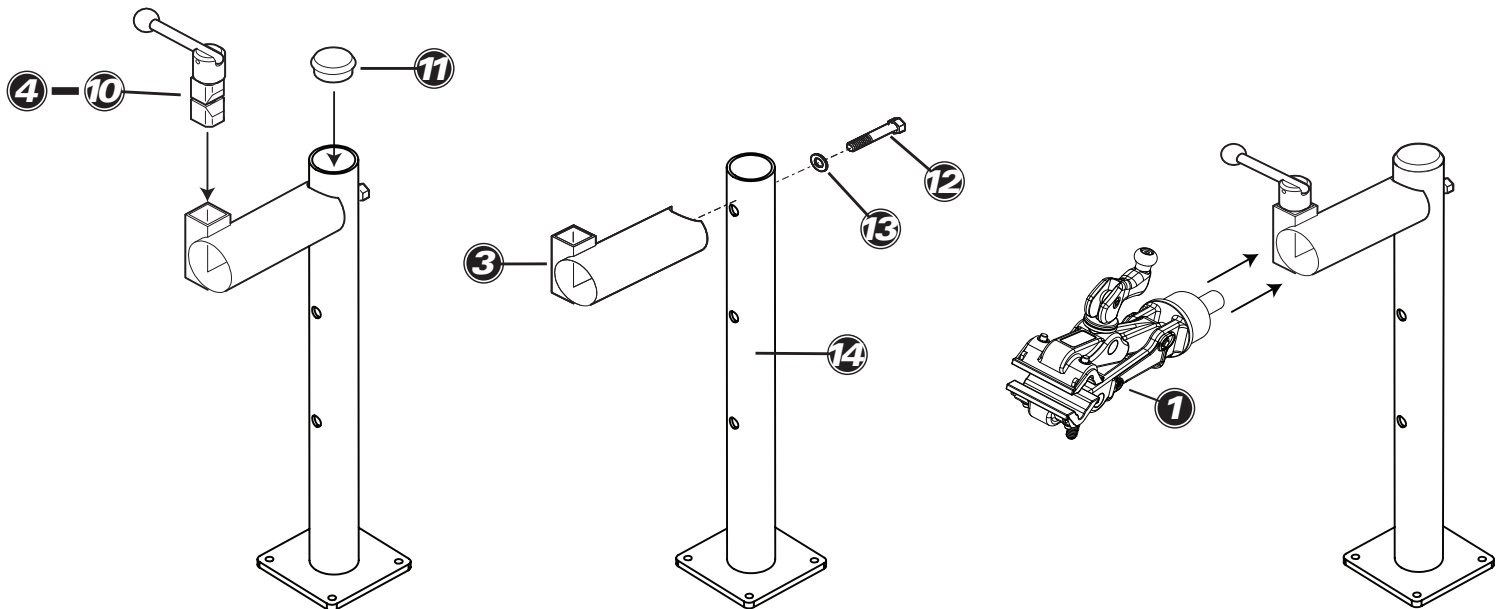


PRS-4M / PRS-4WM Deluxe Repair Stands

Park Tool Co. 5115 Hadley Ave. N., St. Paul, MN 55128 (USA) www.parktool.com

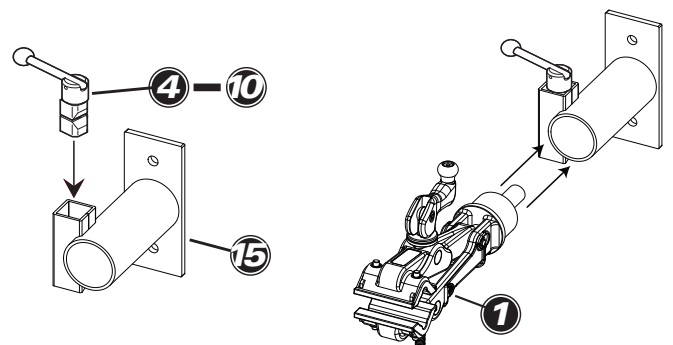
Assembly of PRS-4M Bench Mount Stand

1. Secure bench support weldment (#14) to bench using appropriate through bolts or lag bolts (not included).
2. Select desired mounting hole on bench support weldment and attach horizontal tube (#3) using hex head bolt (#12) and washer (#13).
3. Place lock block assembly (#4-10) into square tube on horizontal tube. Press end cap (#11) into top of bench support weldment.
4. Place clamp (#1) into horizontal tube and tighten handle of lock block assembly to secure.



Assembly of PRS-4WM Wall Mount Stand

1. Secure wall mount weldment (#15) to wall stud or post using appropriate through bolts or lag bolts (not included).
2. Place lock block assembly (#4-10) into square tube on horizontal tube.
3. Place clamp (#1) into horizontal tube and tighten handle of lock block assembly to secure.



Clamp Rotational Adjustment

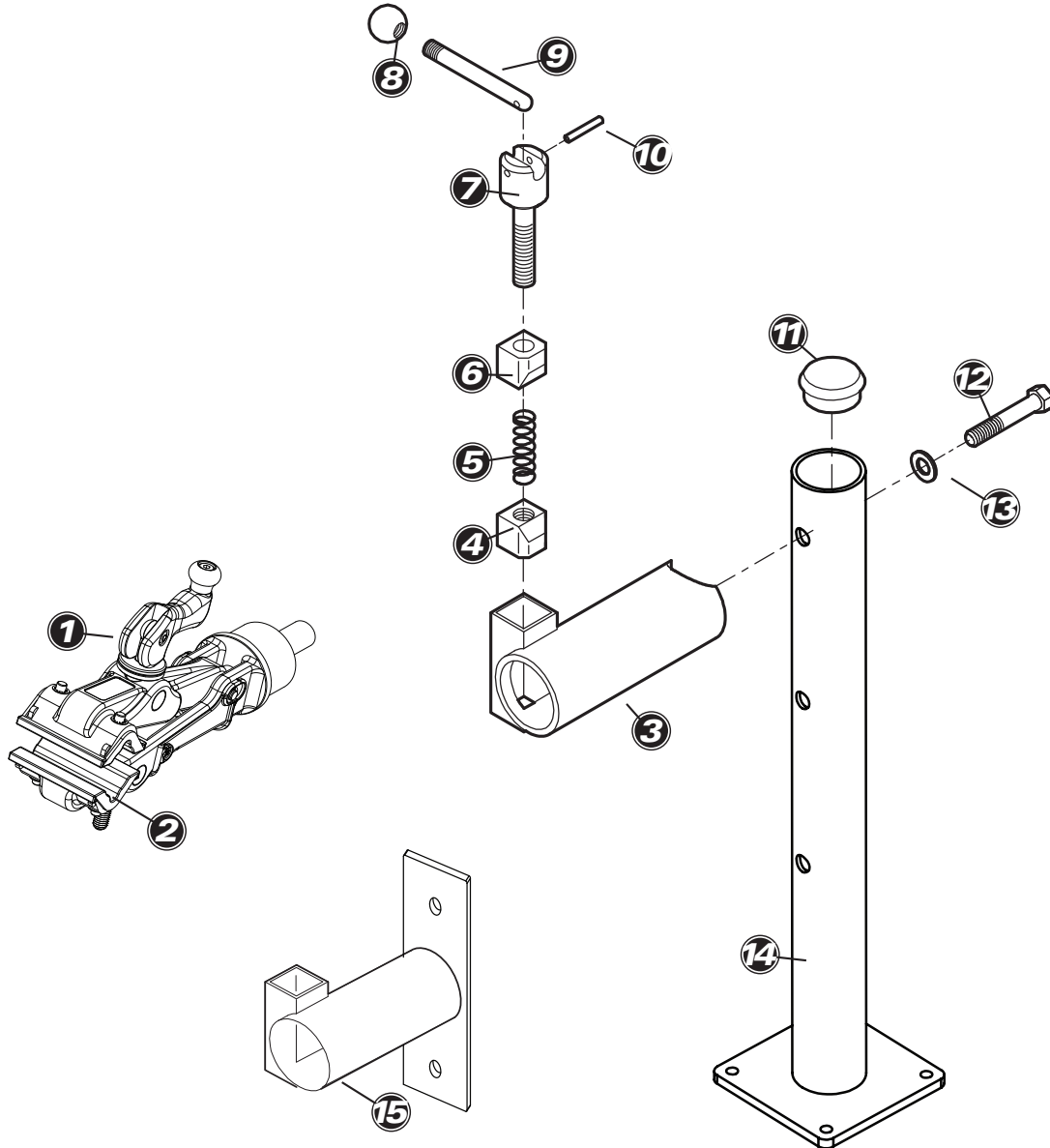
The clamp on the PRS-4M and PRS-4WM can be rotated 360 degrees, allowing easy access to any component. To adjust the angle of the clamp:

1. Loosen handle on lock block assembly (#9).
2. Rotate clamp (#1) to desired position.
3. Retighten handle of lock block assembly to secure clamp.



PRS-4M / PRS-4WM Deluxe Repair Stands

Park Tool Co. 5115 Hadley Ave. N., St. Paul, MN 55128 (USA) www.parktool.com



| Part No. | Description | Qty. |
|----------|--------------------------|------|
| ① 100-3D | Micro Adjust Clamp | 1 |
| ② 1960 | Jaw Cover Set | 1 |
| ③ 124A | Horizontal Tube | 1 |
| ④ 113S | Threaded Lock Block | 1 |
| ⑤ 115S | Spring | 1 |
| ⑥ 114S | Unthreaded Lock Block | 1 |
| ⑦ 112S | Lock Block Bolt Assembly | 1 |
| ⑧ 110S | Ball Knob | 2 |

| Part No. | Description | Qty. |
|----------|---|------|
| ⑨ 111S | Locking Lever | 1 |
| ⑩ 109S | Spring Pin 5/32" x 1-1/4" | 1 |
| 180 | Lock Block Assembly (includes items 4 through 10) | 1 |
| ⑪ 179A | End Cap | 1 |
| ⑫ 128B | Bolt 7/16 - 14 x 2-1/2" | 4 |
| ⑬ 128-3 | Washer 7/16" | 1 |
| ⑭ 182A.2 | Bench Support (PRS-4M) | 1 |
| ⑮ 196-4 | Wall Mount (PRS-4WM) | 1 |